

Unidirectional ESD / Transient Suppressor



CPEV Series –G (RoHS Device)

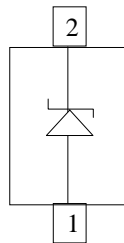
Applications:

- ESD Suppression
- Transient Suppression
- Automotive CAN bus

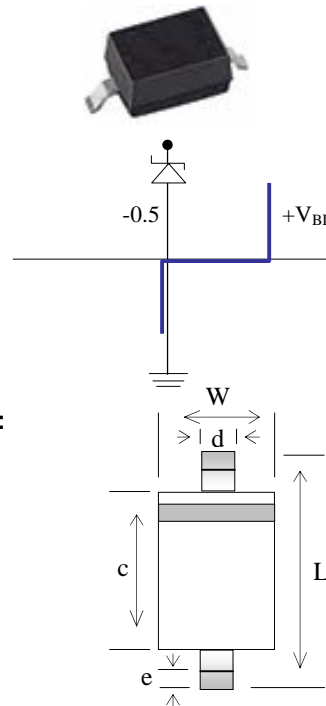
Features:

- (16kV) IEC 61000-4-2 rating
- Surface Mount Package
- High component Density
- * Color band denotes cathode end

Schematics:



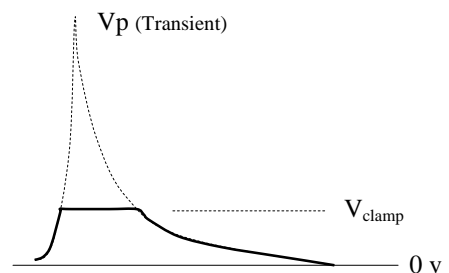
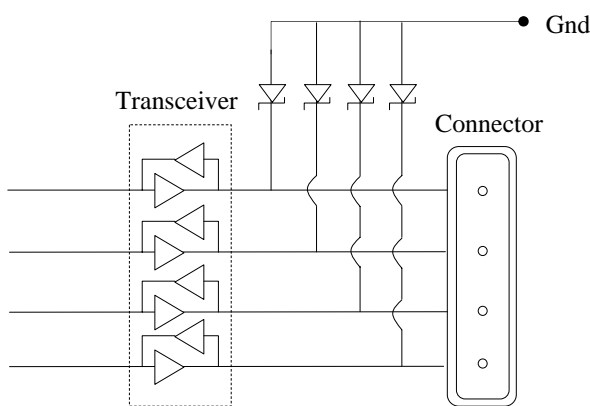
Package:



Dimensions in (mm):

Package Code	Package Power	Number of Pins	L ± 0.2	W ± 0.2	c ± 0.2	e ± 0.1	Pkg. Height + 0.05	d ± 0.05
323	100mw	2	2.5	1.25	1.7	0.3	1.0	0.35

Application:



Unidirectional ESD / Transient Suppressor



Absolute Maximum Ratings: (Ta = 25°C)

Symbol	Parameter	Value	Units
T _{OP}	Operating temperature	-55 to +125	°C
V _F	Foreword voltage	1.3	Volts @ I _{FM}
I _{FM}	Maximum continuous forward current	150	mA

Electrical Ratings: (Ta = 25°C)

36V Characteristic

Symbol	Characteristic	Min	Typ	Max	Units	Test Condition
V _{BD}	Diode breakdown voltage	39			V	I _F = 1 ma
V _w	Working voltage			36	V	
I _L	Leakage current			1.0	uA	36v
C _T	Capacitance		25		pF	@ 1Mhz
V _{PV}	Peak ESD voltage capability			16	kV	IEC 61000-4-2
I _{pp}	Pulse current			1	A	8 / 20 us

24V Characteristic

Symbol	Characteristic	Min	Typ	Max	Units	Test Condition
V _{BD}	Diode breakdown voltage	27			V	I _F = 1 ma
V _w	Working voltage			24	V	
I _L	Leakage current			1.0	uA	24v
C _T	Capacitance		30		pF	@ 1Mhz
V _{PV}	Peak ESD voltage capability			16	kV	IEC 61000-4-2
I _{pp}	Pulse current			2.2	A	8 / 20 us

12V Characteristic

Symbol	Characteristic	Min	Typ	Max	Units	Test Condition
V _{BD}	Diode breakdown voltage	15			V	I _F = 1 ma
V _w	Working voltage			12	V	
I _L	Leakage current			1.0	uA	12v
C _T	Capacitance		50		pF	@ 1Mhz
V _{PV}	Peak ESD voltage capability			16	kV	IEC 61000-4-2
I _{pp}	Pulse current			2.5	A	8 / 20 us

5V0 Characteristic

Symbol	Characteristic	Min	Typ	Max	Units	Test Condition
V _{BD}	Diode breakdown voltage	6.0			V	I _F = 1 ma
V _w	Working voltage			12	V	
I _L	Leakage current			2.0	uA	5v
C _T	Capacitance		80		pF	@ 1Mhz
V _{PV}	Peak ESD voltage capability			16	kV	IEC 61000-4-2
I _{pp}	Pulse current			5.0	A	8 / 20 us

Ordering Information:

CPEV **36** **-G**
Type **Working Voltage** **Lead Free**
 CPEV 5V0
 12
 24
 36

* 3,000 units per 7" reel